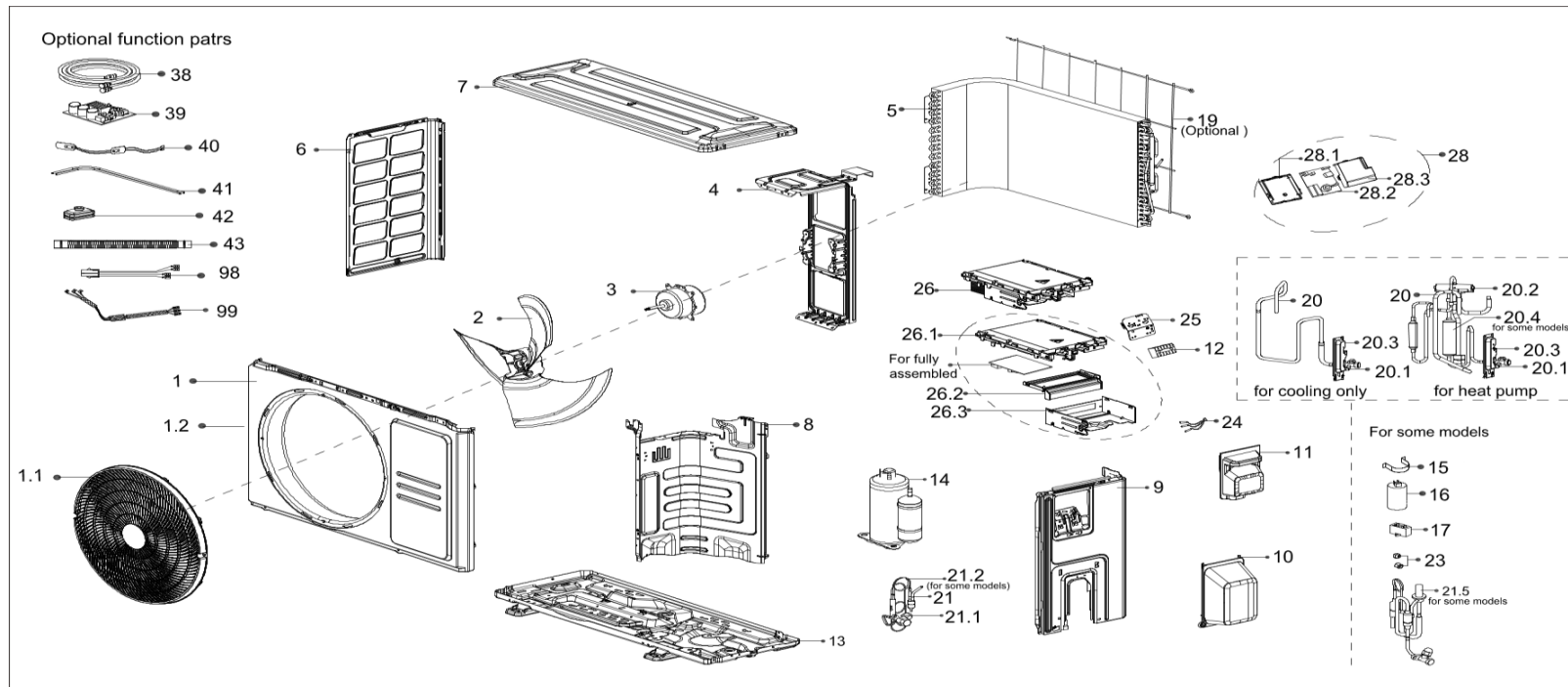


Code:
 Model:
 Brand:
 Order:

22022016016840
 KEX-18KTKO
 KAISAI
 62220-N6761702



EX_ID	Part Code	Part Name(EN)	Part Name(local)	Qty	Substitute
1	12222000013385	Front panel assembly	Front panel assembly	1.00	
1.1	12122000026241	Air-Out Mesh Enclosure	Air-Out Mesh Enclosure	1.00	

1.2	12222000013386	Front panel	Front panel	1.00	
2	12100105000881	Axial Flow Fan	Axial Flow Fan	1.00	12100105A00146
3	11002015012128	Brushless DC Motor	Brushless DC Motor	1.00	11002015A01477
4	12222000013200	Motor Bracket	Motor Bracket	1.00	
5	15822000013786	Condenser assembly	Condenser assembly	1.00	
6	12222000013197	Left Side Panel	Left Side Panel	1.00	
7	12222000019787	Top Cover Assembly	Top Cover Assembly	1.00	
8	12222000013208	Partition Plate	Partition Plate	1.00	
9	12222000013190	Right Clapboard Assembly	Right Clapboard Assembly	1.00	
10	12122000007150	Water Collector	Water Collector	1.00	
11	12122000031166	Big Handle Assembly	Big Handle Assembly	1.00	
12	17400401000016	Terminal	Terminal	1.00	
13	12222000013204	Chassis Assembly	Chassis Assembly	1.00	
14	11103020003919	DC Inverter Rotary Compressor	DC Inverter Rotary Compressor	1.00	11103020A00557
20	15422000017792	Four-Way Valve Subassembly	Four-Way Valve Subassembly	1.00	
20.1	15500204000058	Gas Valve	Gas Valve	1.00	
20.2	15500216001783	Four-Way Valve	Four-Way Valve	1.00	
20.3	12222200005738	Valve Plate	Valve Plate	1.00	
21	15422000018074	Liquid valve Assembly	Liquid valve Assembly	1.00	
21.1	15500208000028	High Pressure Valve	Liquid Valve	1.00	
23	15500406000012	Flare Nut	Copper nut	1.00	
23	15500406000016	Flare Nut	Copper nut	1.00	
24	11201011000067	Combination Sensor	Combination Sensor	1.00	
25	12222000002259	Terminal Board	Terminal Board	1.00	
26	17222000034394	Electronic control box subassembly	Electronic control box subassembly	1.00	

26.1	12122000024223	Support of Electronic Control Box	Support of Electronic Control Box	1.00	
26.2	12122000024222	Fixing board	Fixing board	1.00	
26.3	12222000012106	Electronic Installing Box Subassembly	Electronic Installing Box Subassembly	1.00	
36	16022000C46791	Outdoor unit trademark	Outdoor unit trademark	1.00	
99	17401203012697	Compressor Wires Subassembly	Compressor Wires Subassembly	1.00	